

JBL SOUND POWER SERIES

4782A

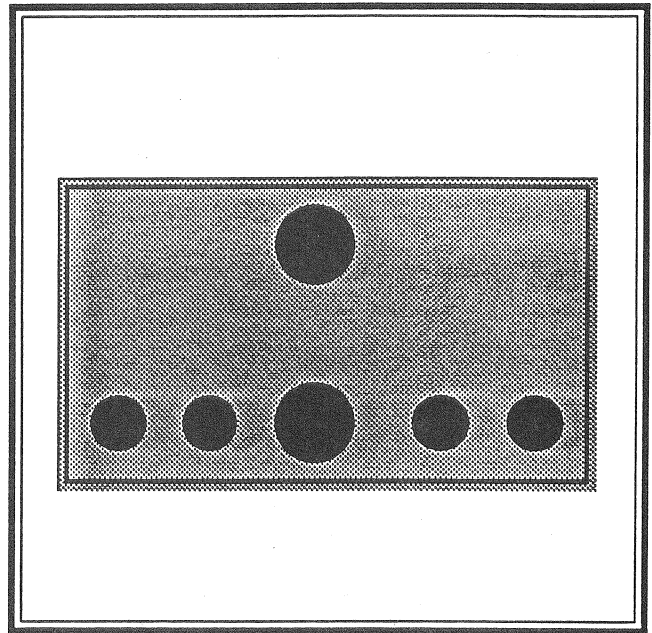
DUAL 300 MM (12")

TRIPLE CHAMBER BANDPASS™ SUB-BASS SYSTEM

PRELIMINARY SPECIFICATION SHEET

FEATURES:

- ▶ Designed for use with the JBL 4716A, 4726AP and 4728AP two-way systems
- ▶ Triple Chamber Bandpass enclosure design
- ▶ Uniform response and power handling down to 30 Hz
- ▶ Dual JBL 2206H 300 mm (12 in) drivers
- ▶ Rugged and attractive finish



The JBL 4782A is designed specifically to augment the low frequency performance of JBL Sound Power Series 4716A, 4726AP and 4728AP sound reinforcement systems in small auditoriums, halls or discotheques.

Featured in the 4782A, JBL's exclusive TCB (Triple Chamber Bandpass) enclosure design delivers higher output, greater bass response and significantly lower distortion than a standard ported enclosure of equivalent volume, while minimizing compression effects and the noise of air flow through vents. The 4782A's dual JBL 2206H 300 mm (12 in) low frequency, low distortion cone drivers push and pull in opposite directions to effectively cancel mechanical forces on the cabinet, resulting in decreased resonance distortion. This sophisticated design substantially reduces driver excursion and acoustically filters higher order harmonic distortion elements.

The 4782A is designed to be actively driven using a JBL 5235 or other external electronic crossover and amplifier. Input to the system is via a single 4-pin Neutrik Speakon™ connector. The heavy-duty rear connector panel features a threaded insert to accept an M12 safety eyebolt. The enclosure is constructed from 18 mm (3/4 in) Finnish birch plywood, internally braced for maximum rigidity and durability and finished to touring standards in a durable dark grey acid-hardened paint, with recessed cutout handles. The vents are protected with a heavy gauge wire mesh. A 35 mm pole-mount adapter is recessed into the top of the cabinet to allow for optional mounting of one or two 4716A, 4726AP or 4728AP Sound Power full-range cabinets on the 4782A.

PRILIMINARY SPECIFICATIONS

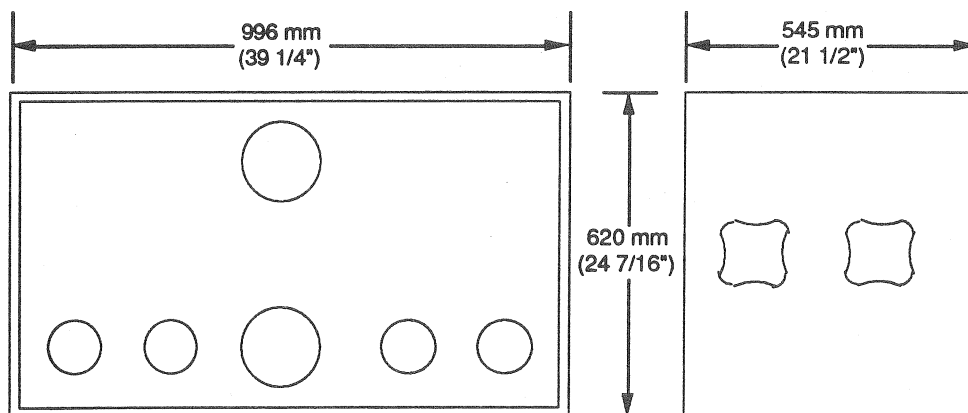
Model 4782A

Components	2 – JBL 2206H low frequency transducers
Frequency range (-10 dB)	28 Hz—250Hz
Frequency response (± 3 dB)	35 Hz—190Hz
Enclosure tuning	36 Hz, 89 Hz
Sensitivity	101 dB (2.83 V, 1 m)*
Power capacity	1200 W (AES standard, 60—600 Hz)
Maximum SPL (1 m, continuous sine wave)	TBA
Recommended crossover frequencies	100—200 Hz, 30 Hz low cut
Nominal impedance	4 ohms
Connectors	2 – Neutrik Speakon NL4MPR
Dimensions	996 mm W x 620 mm H x 545 mm D (39 1/4" W x 24 7/16" H x 21 1/2" D)
Finish	Dark grey acid-hardened paint
Net weight	TBA

Accessories:

MTA 21336	Support Pole for use with 4716A/26AP/28AP
4750ADL	Cover/Dolly
NL4FC	Neutrik Speakon Cable Connector, 4-Pin
NL4MM	Neutrik Speakon Coupler, 4-Pin
3700-4	4-Wire Speaker Cable
3705-4	4-Wire Speaker Cable, 5 m, with NL4FC Connectors
3720-4	4-Wire Speaker Cable, 20 m, with NL4FC Connectors
4700APNT	Touch-Up Paint

* 2.83 V is 1 W across an 8 ohm load.



JBL continually engages in research related to product improvement. New materials, production methods and design refinements are introduced into existing products without notice as a routine expression of that philosophy. For this reason, any current JBL product may differ in some respect from its published description but will always equal or exceed the original design specifications unless otherwise stated.

